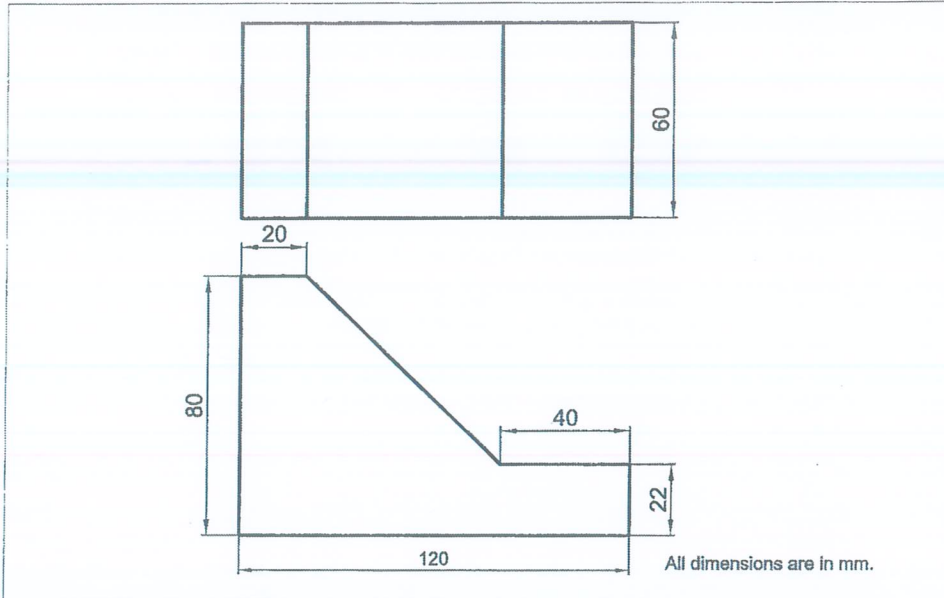


TIME: 4 HRS.

MARKS: 75

Note: Attempt all questions.

1. Draw the free hand isometric view of the orthographic view given below. (20)



2. Construct a regular Pentagon by any one method on the circle of diameter 100 mm. (10)
3. Draw a regular cone of base diameter 5cm and height of 12 cm or a hexagonal prism of side 3 cm and height of 8 cm. (10)
4. Draw the following views in third angle projection of the isometric view given below. (35)
- Front view looking in the direction of the arrow
 - Side view looking in the direction of arrow
 - Plan

