

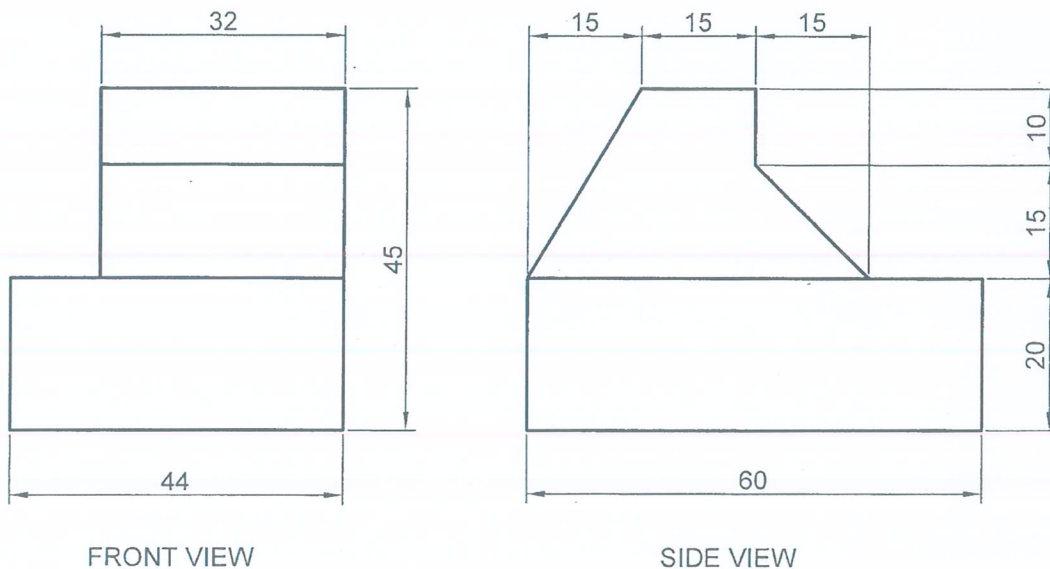
**PAPER - III**  
**FITTER, MACHINIST, MACHINIST GRINDER, MECHANIC AGRICULTURE MACHINERY,**  
**MECHANIC MACHINE TOOL MAINTENANCE, MECHANIC MOTOR VEHICLE, MECHANIC**  
**RAC, OPERATOR ADVANCED MACHINE TOOLS, TOOL & DIE MAKER (DIES & MOULDS),**  
**TOOL & DIE MAKER (PRESS TOOLS, JIGS & FIXTURES), TURNER, REFRACTORY**  
**TECHNICIAN**  
**(ENGINEERING DRAWING))**  
**SEMESTER - IV**

TIME: 4 HRS.

MARKS: 75

**Note: Attempt all the questions.**

- 1: Draw The Conventional symbols of following items. (10 x 1 = 10)
- |                         |                                   |                  |
|-------------------------|-----------------------------------|------------------|
| i) Lamp mounted on wall | ii) Outlet socket of 2 pin 15 amp | iii) Bracket fan |
| iv) Buzzer              | v) Voltmeter                      | vi) Heater       |
| vii) Thermostat         | viii) Exhaust fan                 | ix) Signal lamp  |
| x) fuse                 |                                   |                  |
- 2: The orthographic views of a block is given below. Redraw the views and add the third missing view. (30)



All dimensions are in mm.

- 3: Draw the detail drawing of parts of a Hand vice taking appropriate dimensions. (35)

\*\*\*\*\*