

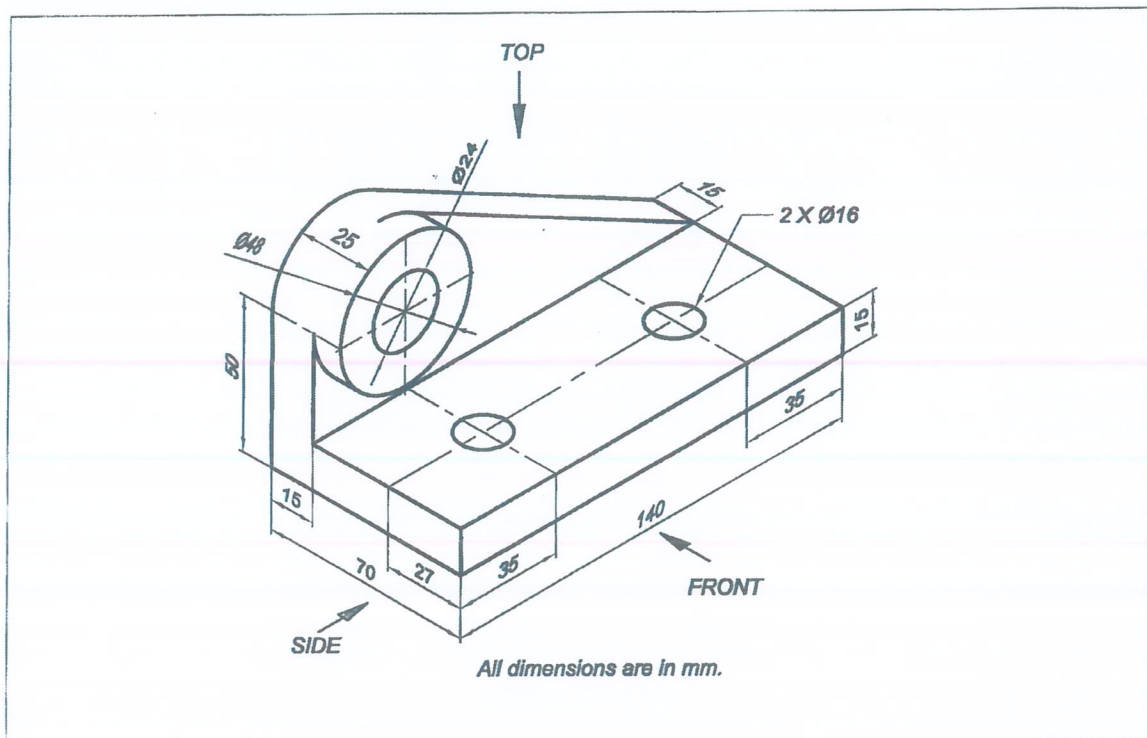
**PAPER - III  
ENGINEERING DRAWING  
(MORNING SESSION)  
10TH PASS (TWO YEAR TRADES)  
SEMESTER - II**

TIME: 4 HRS.

MARKS: 75

Note: Attempt all questions.

1. Draw the following : (5x6=30)
  - a) Neat sketch of slotted nut.
  - b) Any two type of screws with their nomenclature
  - c) Inscribe a regular heptagon in a circle if the length of one side of the heptagon is 20 mm.
  - d) A plain scale of 1 cm=5 m and show on it 37 m.
  - e) Free hand sketch of cross peen hammer
  
2. Figure shown below is horizontal shaft bearing. Draw the following orthographic views in **third angle projection**: (3x15=45)
  - a) Elevation from the given direction
  - b) Side view from the given direction
  - c) Top view from the given direction



\*\*\*\*\*