

PAPER -III  
ENGINEERING DRAWING  
(MORNING SESSION)  
10TH PASS (TWO YEAR TRADES)  
SEMESTER -II

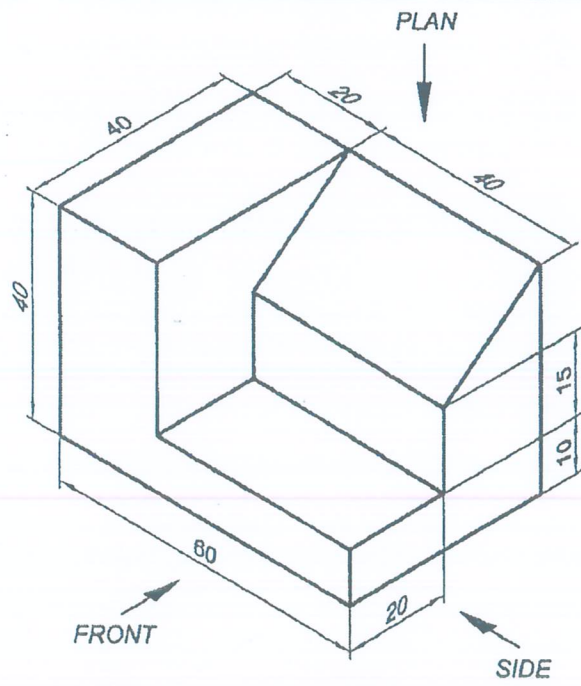
ED.  
10TH PASS

TIME: 4 HRS.

MARKS: 75

Note : Attempt all questions.

1. Construct an ellipse having major axis as 120 mm and minor axis 60 mm using four centre method. (20)
2. Draw a regular hexagonal pyramid of base 5cm side and height of 12cm or a pentagonal prism of side 3cm and height of 8cm. (10)
3. Draw the following views of the isometric view given below- (45)  
a) Front view                      b) Side view                      c) Plan



All dimensions are in mm.

\*\*\*\*\*