

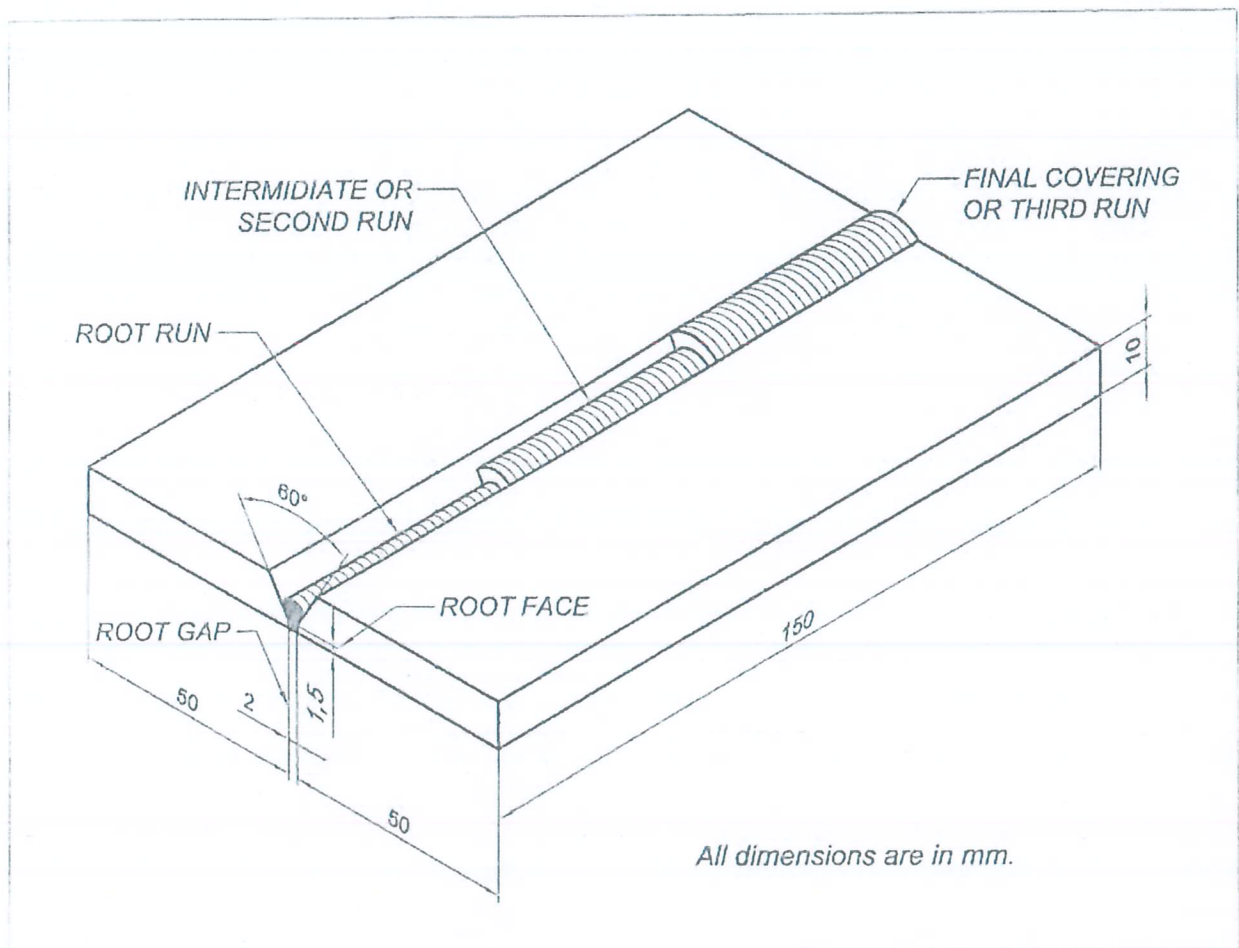
WELDER
(PRACTICAL)
SEMESTER II

Time: 8 hrs.

Marks: 270

Note: Attempt all the questions.

1. Prepare the following butt weld in single Vee joint as shown below from the given MS material in flat position by dip transfer by GMAW. (30)
2. Write the sequence of operations with safety precautions observed in completing the job. Also list the tools & equipments required for preparing the job. (200)



3. Viva voce.

(40)
